



**Air International  
Transit**

**SIGMA**  
Innovative by design • Tough by nature

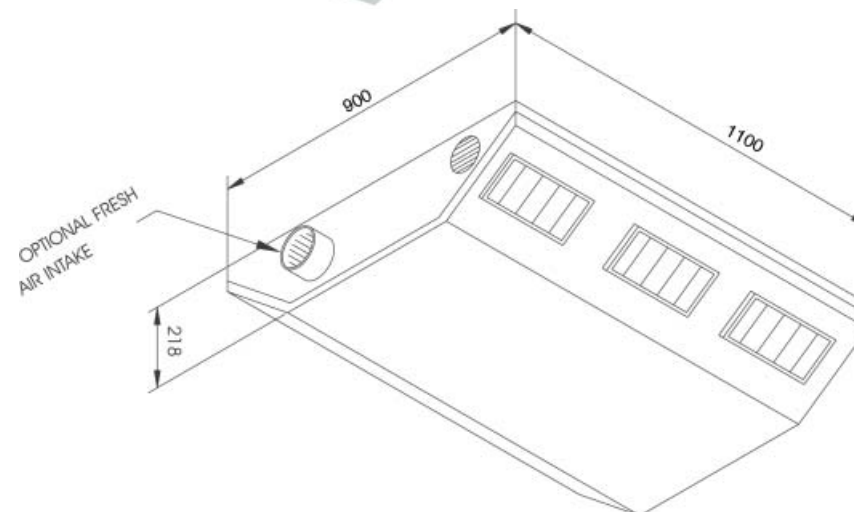
**AIR CONDITIONERS**  
Severe-Duty Range

# TFC8 Ceiling Evaporator

## SPECIFICATION DATA

Model No:	TFC8	
Unit Type:	Internal Ceiling Evaporator	
Cooling Capacity – KW:	8	
Heating Capacity – KW:	10	
Supply Airflow – l/s:	325	
Pressurised Fresh Air – l/s:	30 (if fitted)	
Current Draw:	12 V DC	24V DC
	45	22.5
Design Ambient:	Summer	Winter
	46°C Ambient	0°C Ambient
Refrigerant:	R134a	
Weight (Nominal kgs):	70	

**For more information on the Sigma range of Air Conditioners, please contact one of our offices listed below.** In the interests of product improvement, Air International Transit, reserves the right to alter specifications without notice.



**Air International  
Transit**

**AIR INTERNATIONAL TRANSIT**  
A LLOYD'S QUALITY ACCREDITED COMPANY



HEAD OFFICE: 3 Distillers Place, Huntingwood NSW 2148  
Phone: + 61 2 9830 7100 Fax: + 61 2 9672 1018

QUEENSLAND: 16 Machinery Street, Darra QLD 4076  
Phone: + 61 7 3713 7411 Fax: + 61 7 3713 7422

VICTORIA: 245 Collins St, Thornbury VIC 3071  
Phone: + 61 3 9416 8511 Fax: + 61 3 9416 8911

WEB: [www.airinter.com.au](http://www.airinter.com.au)

EMAIL: [ait@airinter.com.au](mailto:ait@airinter.com.au)